



Pittsburgh Department of City Planning

BICYCLE PARKING OVERVIEW

INTRODUCTION

In 2010, the City of Pittsburgh amended the Zoning Code to both require and incentivize bicycle parking in development projects. The intent of the ordinance is to allow for increased flexibility and equity in addressing parking issues and to present a menu of parking strategies.

Larger-scale new construction or change of use applications will be required to provide bicycle parking based on use, building size or staff size. Residential uses are required to provide 60 percent of the bicycle parking in protected spaces. In addition, all developments will have the opportunity to provide bicycle parking in lieu of automobile parking on a 1 to 1 basis, up to 30% of required parking. For projects that are required to provide bicycle parking, the incentive may be used on these mandated spaces. Additional bicycle parking is not required to utilize the incentive.

This overview will answer many of the frequently asked questions concerning the bike parking requirements.

WHAT IS THE DIFFERENCE BETWEEN PROTECTED AND UNPROTECTED BIKE PARKING SPACES?

Protected bike parking spaces are secure facilities that protect the entire bike against theft and against inclement weather. These facilities include but are not limited to bike lockers, check-in facilities, monitored bike parking, restricted access parking and personal storage. Unprotected bike parking spaces are bike racks which permit locking the bike frame and one wheel to the frame, and provide a stable position without damaging the bikes. These facilities can be outdoors.

WHAT ELSE IS REQUIRED TO ENSURE THAT MY BICYCLE PARKING IS SECURE?

The facilities should make sure that bike racks and lockers are anchored to concrete pads or equivalent building structure, and shall provide ample lock-up options. Recommended options include "A" Shape and Inverted "U" shape frames, as well as the Post and Loop racks. Please refer to the next two sections for detail on recommended bicycle racks. The parking area should also be located at a highly visible area to minimize theft and vandalism. Finally, it should provide safe and convenient means of ingress and egress, which shall include but is not limited to stairways, elevators and escalators.

WHAT TYPE OF BICYCLE RACK IS RECOMMENDED FOR INDOOR USE?

"A" Shape and Inverted "U" shape frames. This type of rack allows the user to lock a bike frame and one of the wheels with a standard U-Lock. Wall-mounted hanging racks may also be acceptable.

WHAT TYPE OF BICYCLE RACK IS RECOMMENDED FOR OUTDOOR USE?

Post and loop, such as the Three-Rivers Bike Rack, "A" Shape and Inverted "U" shape frames. These types of racks allows the user to lock a bike frame and one of the wheels with a standard U-Lock. A bike locker is another alternative.

For indoor and outdoor racks, the code sets certain standards. The Zoning Administrator can approve plans and specs that differ from if function requires.

WHAT TYPE OF BICYCLE RACK IS NOT PERMITTED FOR EITHER INDOOR AND OUTDOOR USE?

The wave, comb, and toast bike racks are not permitted as they do not allow both the frame and wheels of the bike to be locked.

WHAT LIGHTING LEVELS ARE NEEDED TO MAKE MY BICYCLE PARKING SECURE?

Bike parking facilities shall be well lit in order to provide a secured parking area where riders will feel safe.

RECOMMENDED



U-Shaped Bike Rack



Three-Rivers Bike Rack



Vertical Hanging Rack



Bike Locker



Campus Bike Rack

NOT PERMITTED



Comb Bike Rack



Toast Bike Rack



BICYCLE PARKING QUESTIONS CONTINUED

WHAT LEVEL OF DETAIL AM I REQUIRED TO PROVIDE FOR PLAN REVIEW?

The submission must include the bike rack specifications, site plan showing the location(s) of the bike parking, and a plan detail with the rack with the dimensions from surrounding objects noted.

WHY AM I REQUIRED TO PROVIDE THIS LEVEL OF DETAIL?

Providing detailed drawings and specifications of the bicycle parking facilities allow us to ensure the proposed plan meets the zoning requirements. In addition, by providing these details for review, we can prevent nonfunctional facilities that waste money and time from being constructed.

IN AN APARTMENT BUILDING, CAN'T MY TENANTS JUST STORE THEIR BICYCLES IN THEIR APARTMENT UNITS?

City policy encourages apartment owners to create a separate storage location for bicycles, such as individual tenant storage or a shared storage room where the bikes can be secured from theft. Storage within an apartment may be allowed if several conditions are met. First, bicycles must be allowed in the building and elevators. Second, a usable bike parking space must be within direct proximity to a main or secondary apartment entrance. Other alternative solutions, such as bike lockers, may also be acceptable.

IN AN APARTMENT BUILDING, CAN'T MY TENANTS JUST STORE THEIR BICYCLES IN THE BASEMENT?

In any shared space, infrastructure is required that will allow bicycles to be locked up. This will provide an additional level of security from theft.

WHAT TYPE OF SIGNAGE IS RECOMMENDED TO DIRECT RIDERS TO BICYCLE PARKING SPACES?

Bicycle parking signs shall be installed to direct cyclists from entryways. The sign type is recommended to conform to the Manual of Uniform Traffic Control devices, as shown to the right. Site locations shall be identified on the site plan.



Bicycle Parking Sign

HOW DO I GET A BIKE RACK INSTALLED IN THE SIDEWALK OUTSIDE MY BUSINESS?

Please contact Stephen Patchan, Department of City Planning Bicycle and Pedestrian Coordinator, at 412-393-0150 or stephen.patchan@city.pittsburgh.pa.us. His review is the first step in the process, followed by the Department of Public Works.

WHAT IS THE COST TO INSTALL A BIKE RACK ON THE SIDEWALK?

The permit fee is \$25, in addition to the cost of the bike rack and installation.

I DO NOT NEED TO PUT BIKE RACKS ON THE SIDEWALKS, BUT I WOULD LIKE TO ORDER THE THREE-RIVERS BIKE RACK?

While these racks are not required specifically by the City of Pittsburgh, they do meet the requirements for an outdoor rack. If you are interested in purchasing one please contact Bike Pittsburgh at racks@bike-pgh.org or call 412-325-4334.

MY EMPLOYEES DO NOT COMMUTE TO WORK ON BICYCLE, WHY DO I NEED TO PROVIDE THIS INFRASTRUCTURE?

Establishing bicycle parking for current and future needs is part of the City's comprehensive planning efforts. Without providing the facilities, we are eliminating the potential for future bicycle commuters.

IF I AM EXEMPTED FROM AUTOMOBILE PARKING, AM I EXEMPTED FROM BICYCLE PARKING AS WELL?

No, an exemption from automobile parking does not mean an exemption from bicycle parking, therefore, bicycle parking facilities should be provided based on the Bicycle Parking Code.

FOR MORE INFORMATION

The Bicycle Parking Overview handout is for reference only. For the complete City of Pittsburgh Bicycle Parking Ordinance please refer to the Pittsburgh Zoning Code, Title Nine, Zoning Code, Article VI, Section 914.05. For questions concerning zoning, contact Corey Layman, Senior Planner, corey.layman@city.pittsburgh.pa.us. For bicycle and rack specific questions, contact Stephen Patchan, Bicycle/Pedestrian Coordinator, stephen.patchan@city.pittsburgh.pa.us.





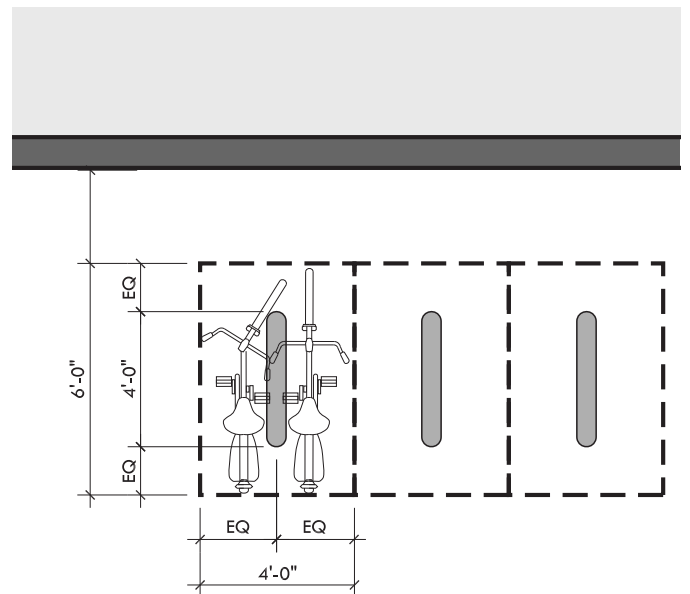
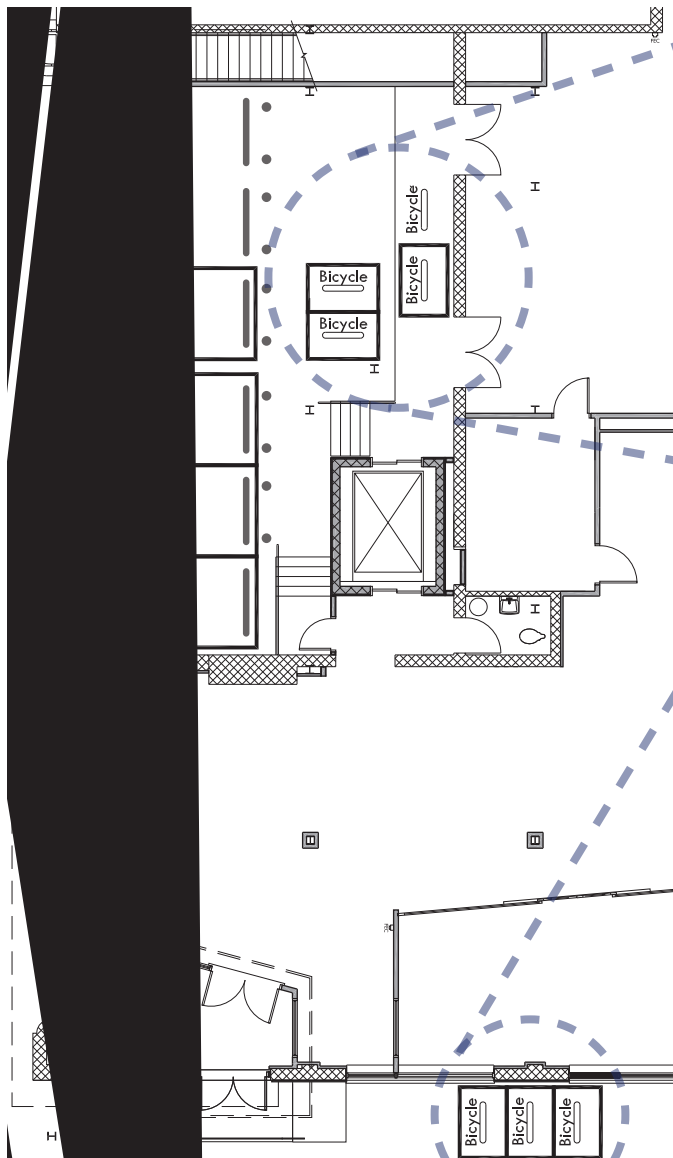
Pittsburgh Department of City Planning BICYCLE PARKING EXAMPLE

INTRODUCTION

In addition to the Bicycle Parking Overview handout, this handout is intended to illustrate the level of detail required to provide for bicycle parking plan reviews.

PLAN REVIEW DRAWING REQUIREMENT

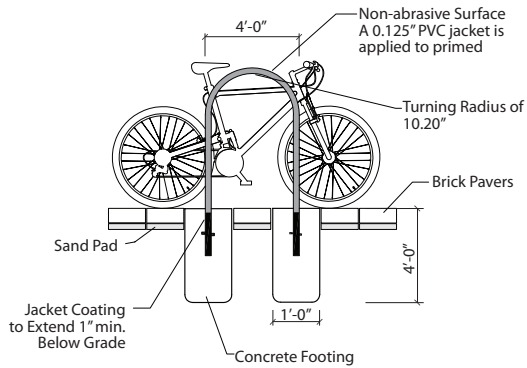
In order to ensure the proposed plans meet the zoning requirements, the applicant must provide site plan/building plan, enlarged bike parking detail and bike rack specifications.



BICYCLE PARKING EXAMPLES CONTINUED

ENLARGED BIKE RACK DETAIL SECTION

Enlarged section of bike rack drawing must contain bike rack specifications including but not limited to, bike rack type, dimensions, materials and connection to ground.



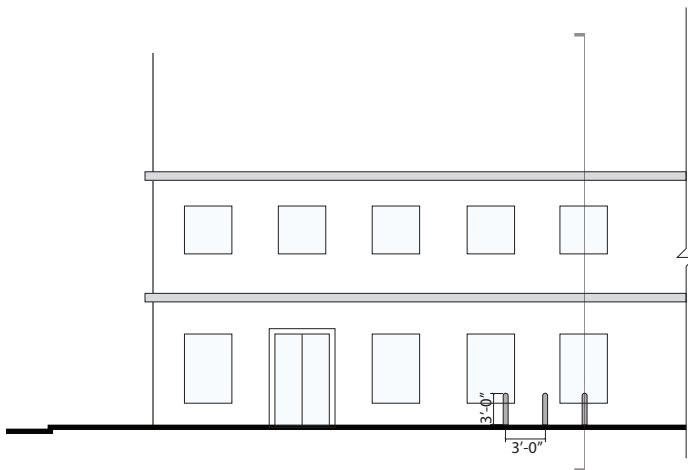
ENLARGED BIKE RACK DETAIL SECTION

ADDITIONAL DRAWINGS

Additional drawings, such as perspectives, sections and elevations are encouraged to further illustrate functionality, especially in larger projects.

BIKE PARKING BUILDING ELEVATION

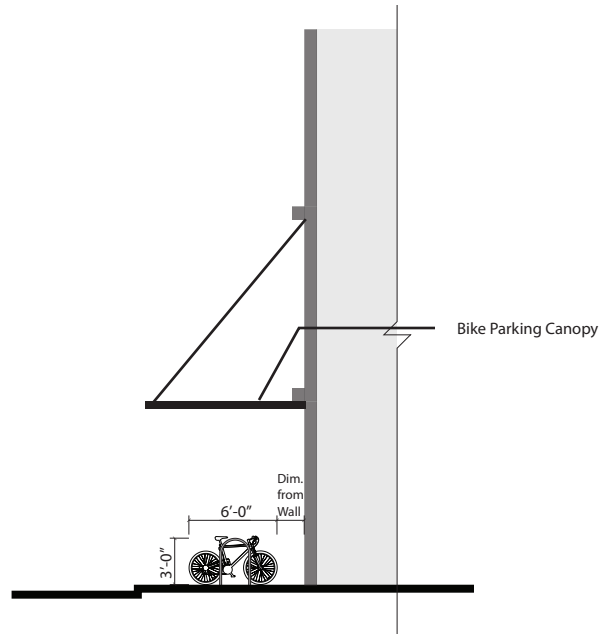
Indication of on-site outdoor bike parking locations and outdoor bike parking canopy if applicable.



BIKE PARKING BUILDING ELEVATION

BIKE PARKING BUILDING SECTION

Building section indicates bike rack location in relation to building envelope, right-of-way and outdoor bike parking canopy if applicable.



BIKE PARKING BUILDING SECTION

FOR MORE INFORMATION

The Bicycle Parking Overview handout is for reference only. For questions concerning zoning, contact Corey Layman, Senior Planner, corey.layman@city.pittsburgh.pa.us. For bicycle and rack specific questions, contact Stephen Patchan, Bicycle/Pedestrian Coordinator, stephen.patchan@city.pittsburgh.pa.us.

